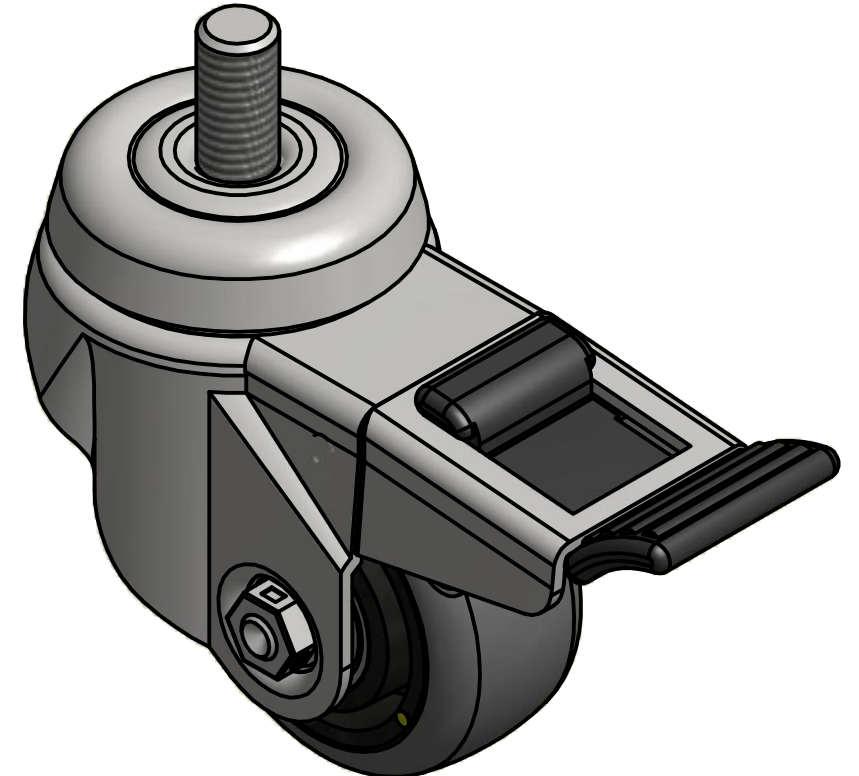
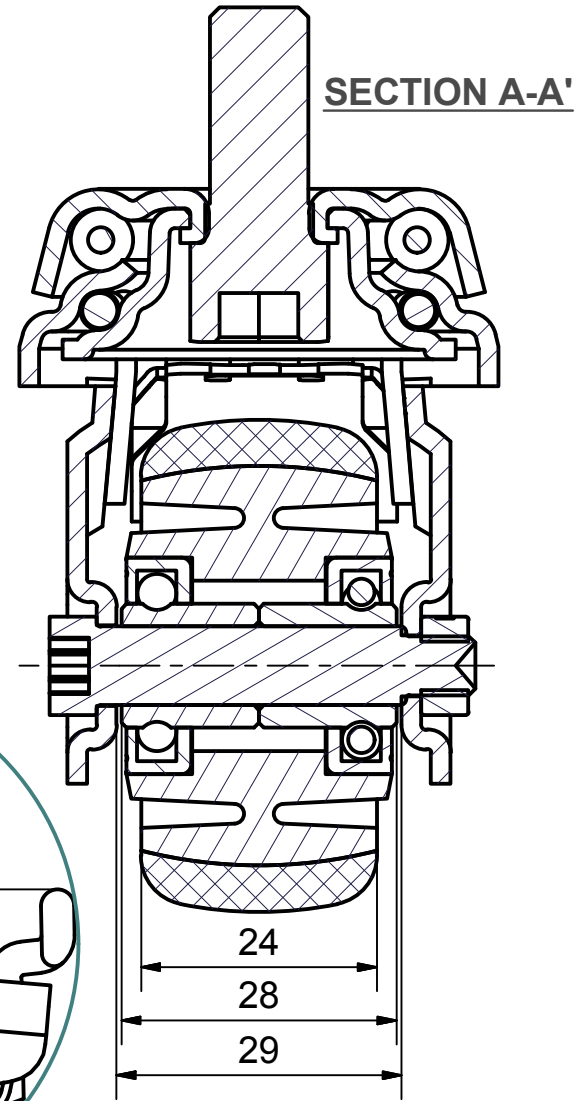
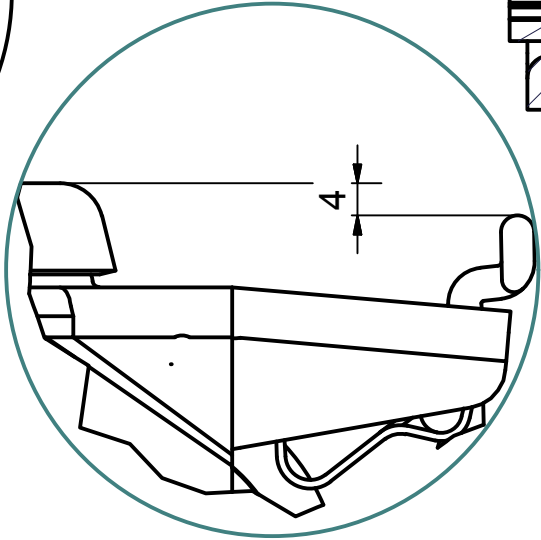


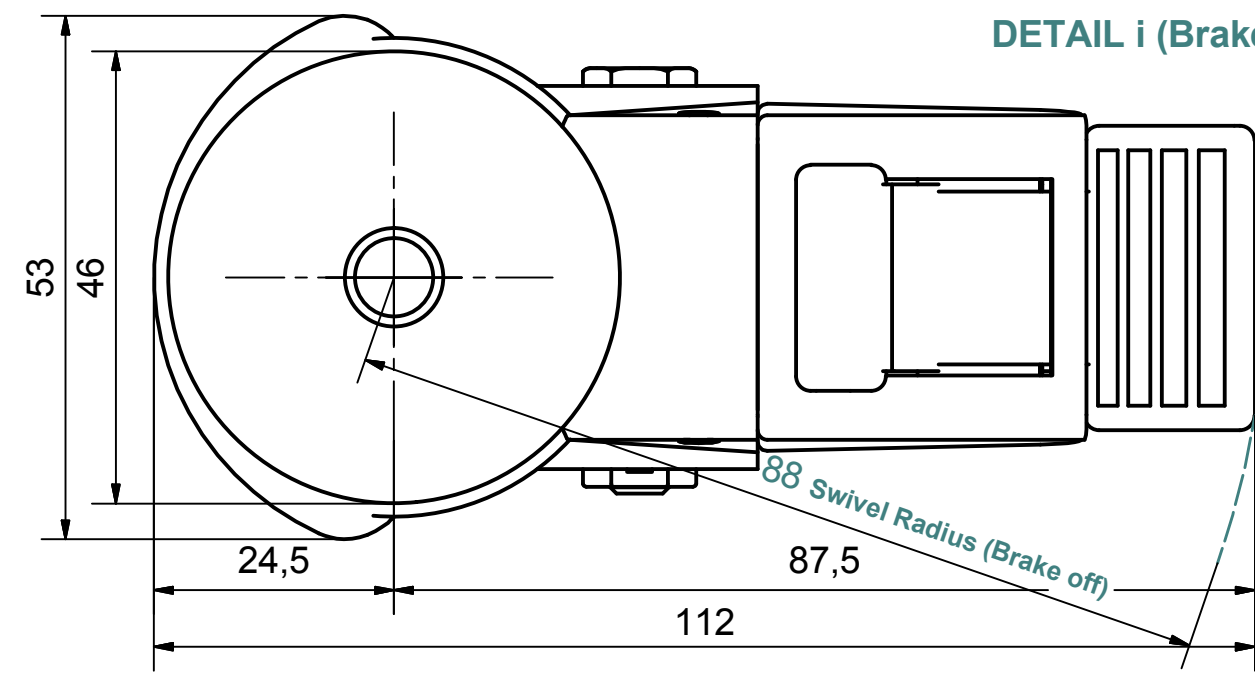
DETAIL i




Load Capacity: 50kg, for speed up to 4km/h
(According to EN 12530)



DETAIL i (Brake on)



 PRODUCTION OF INSTITUTIONAL CASTORS AND WHEELS THESSALONIKI - GREECE	PERMIS. VARIATIONS:		PART No:
	SURFACE FINISH:		UNF . DIM.:
This drawing is the property of RODA S.A. It must neither be reproduced in any manner nor shall it be submitted to third parties or competitors without our written consent	DESIGNED 26/6/2013 E.POLIMEROPOULOU DRAWN 26/6/2013 E.POLIMEROPOULOU CHECKED 26/6/2013 H.SAATZOGLU	PART NAME : M.050.CPC.BSBK	PART DESCRIPTION : Swivel+brake castor, steel support, bolt stem M10X20mm.Wheel 50x24mm,electric conductive non marking grey rubber (82shA) double
C3 B2 A1 A/A	QUANTITY REPLACE :	SCALE	DRAWING NUMBER : SHEET No.
		GEN. DWG. NUM. :	