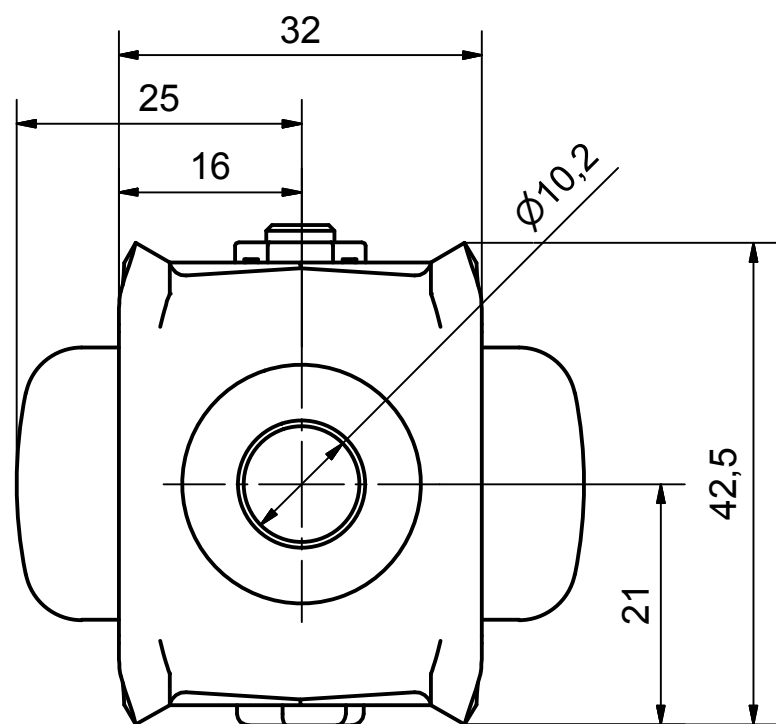
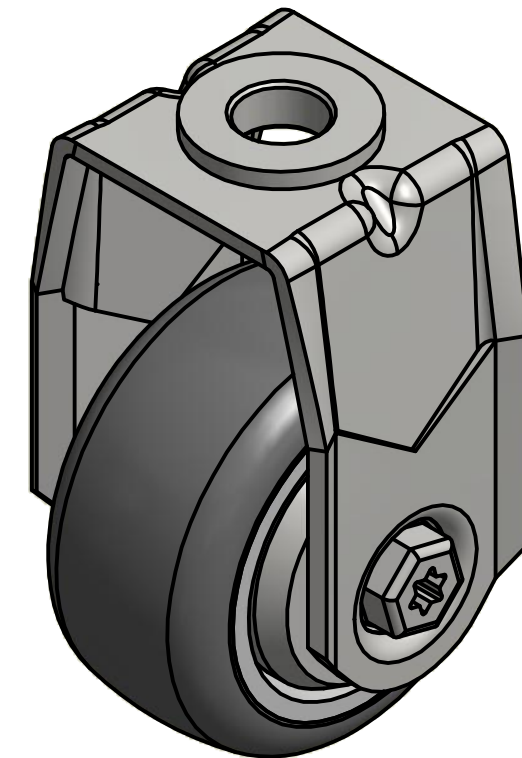
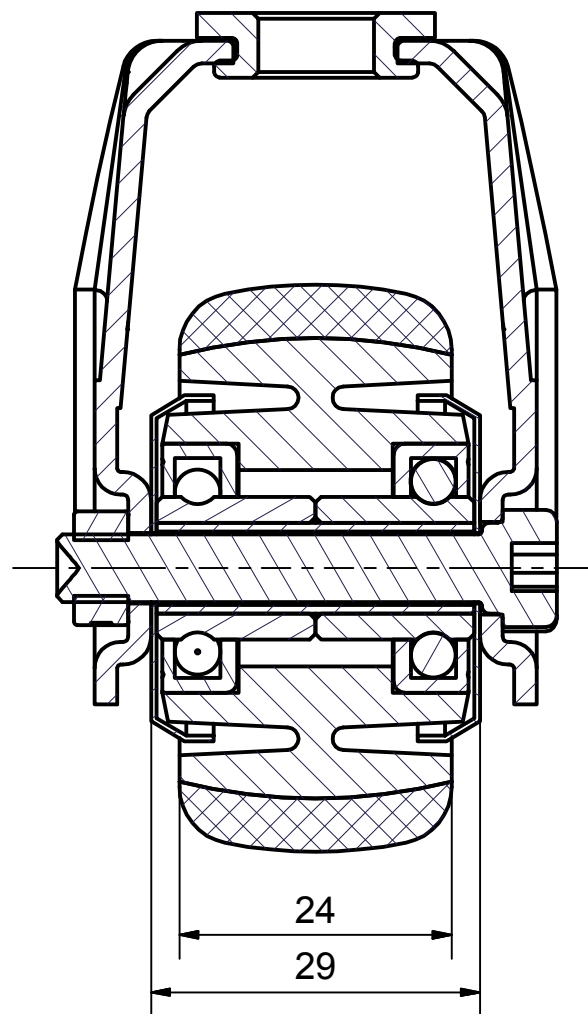



SECTION A-A'



**Load Capacity: 50kg, for speed up to 4km/h
(According to EN 12530)**

 PRODUCTION OF INSTITUTIONAL CASTORS AND WHEELS THESSALONIKI - GREECE This drawing is the property of RODA S.A. It must neither be reproduced in any manner nor shall it be submitted to third parties or competitors without our written consent	PERMIS. VARIATIONS:		PART No:	
	SURFACE FINISH:		UNF . DIM.:	
DESIGNED 24/6/2013 E.POLIMEROPOULOU DRAWN 24/6/2013 E.POLIMEROPOULOU CHECKED 24/6/2013 H.SAATZOGLU			PART NAME : M.050.TPC.HFG	
C3 B2 A1 A/A			PART DESCRIPTION : Fixed castor, steel support, bolt hole fitting (10,2mm).Wheel 50x24mm,non marking grey rubber (82shA) double ball bearings,steel	
QUANTITY REPLACE :		SCALE		SHEET No.
GEN. DWG. NUM. :			DRAWING NUMBER :	