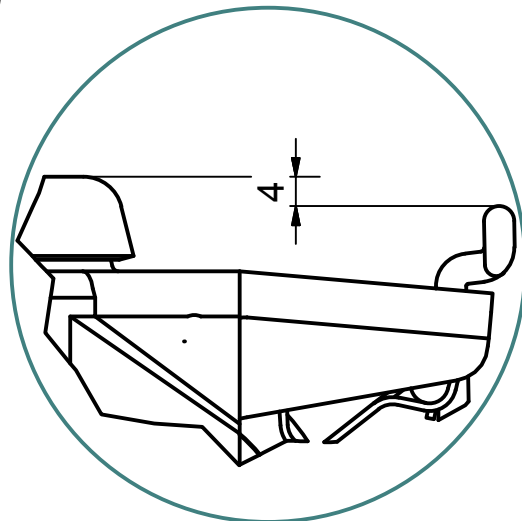
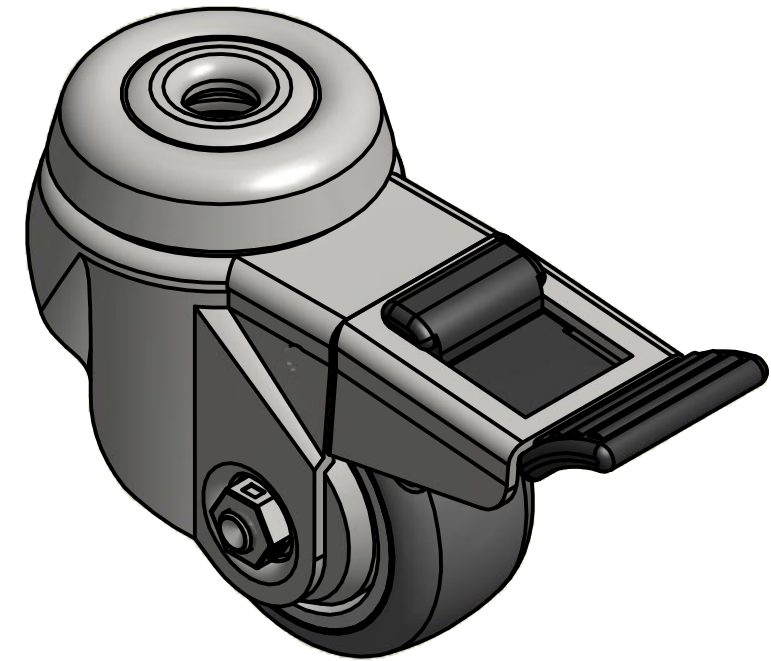
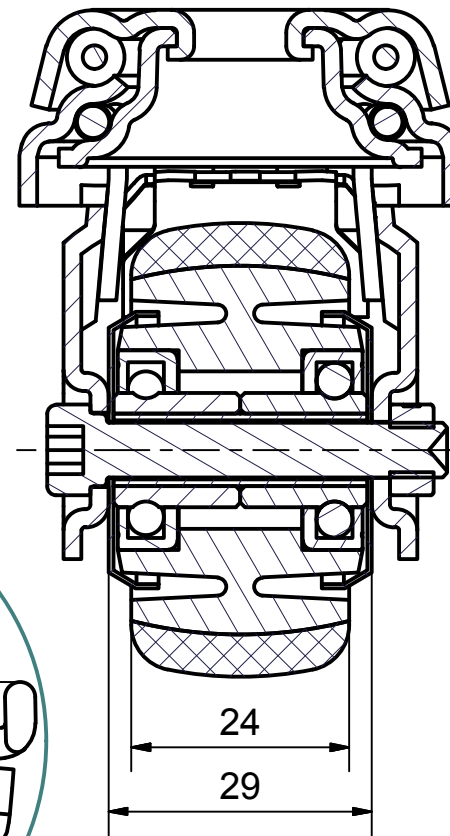
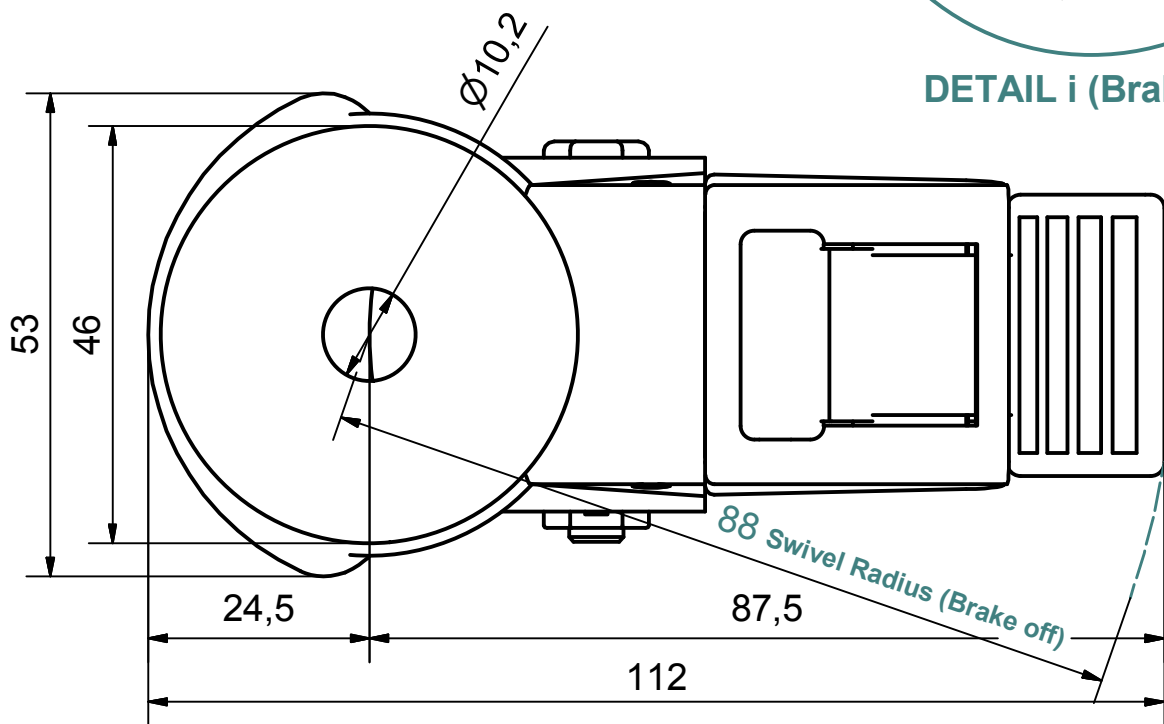


DETAIL i


SECTION A-A'



DETAIL i (Brake on)



Load Capacity: 50kg, for speed up to 4km/h
(According to EN 12530)

	PRODUCTION OF INSTITUTIONAL CASTORS AND WHEELS		PERMIS. VARIATIONS:	PART No:		
	THESSALONIKI - GREECE		SURFACE FINISH :	UNF . DIM.:		
This drawing is the property of RODA S.A. It must neither be reproduced in any manner nor shall it be submitted to third parties or competitors without our written consent			DESIGNED	26/6/2013	E.POLIMEROPOULOU	PART DESCRIPTION : Swivel+brake castor, steel support, bolt hole fitting (10,2mm).Wheel 50x24mm,non marking grey rubber (82shA) double ball bearin
			DRAWN	26/6/2013	E.POLIMEROPOULOU	
			CHECKED	27/6/2013	H.SAATZOGLOU	
C3			QUANTITY	SCALE	DRAWING NUMBER :	SHEET No.
B2			REPLACE :		GEN. DWG. NUM. :	
A1						
A/A						