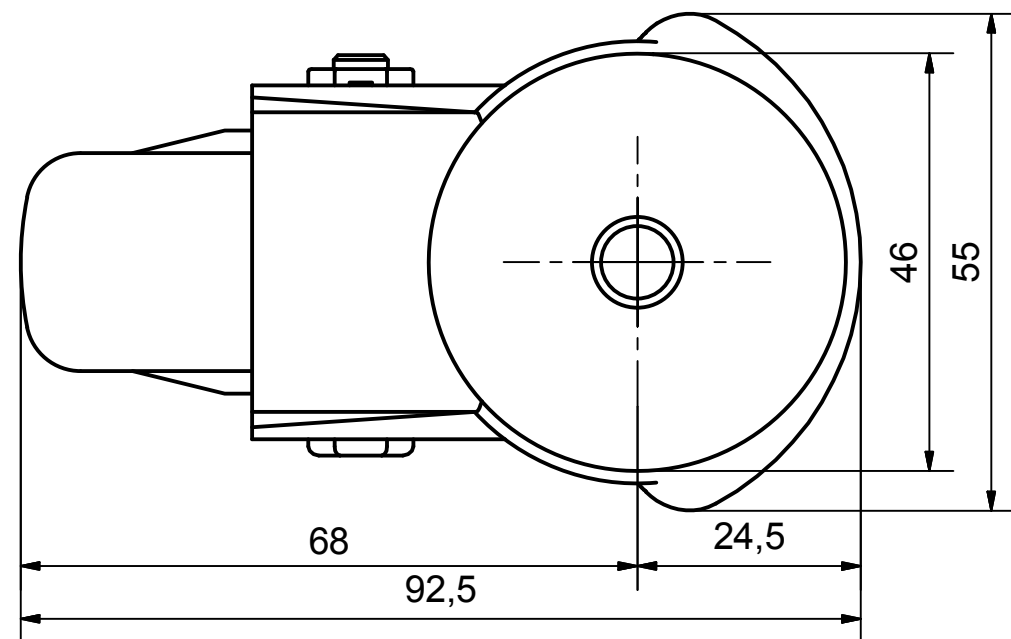



**Load Capacity: 60kg, for speed up to 4km/h  
(According to EN 12530)**



	PRODUCTION OF INSTITUTIONAL CASTORS AND WHEELS THESSALONIKI - GREECE	PERMIS. VARIATIONS:		PART No:	
		SURFACE FINISH:		UNF . DIM.:	
This drawing is the property of RODA S.A. It must neither be reproduced in any manner nor shall it be submitted to third parties or competitors without our written consent		DESIGNED 4/7/2013 E.POLIMEROPOULOU	PART NAME : <b>M.075.NNA.BSG</b>		
It must neither be reproduced in any manner nor shall it be submitted to third parties or competitors without our written consent		DRAWN 4/7/2013 E.POLIMEROPOULOU	PART DESCRIPTION : <b>Swivel castor, steel support, bolt stem M10X20mm.Wheel 75x24mm,white polyamide plain bearing,steel threadguards</b>		
C3 B2 A1 A/A		CHECKED 4/7/2013 H.SAATZOGLOU	QUANTITY	SCALE	DRAWING NUMBER :
REPLACE :		GEN. DWG. NUM. :		SHEET No.	