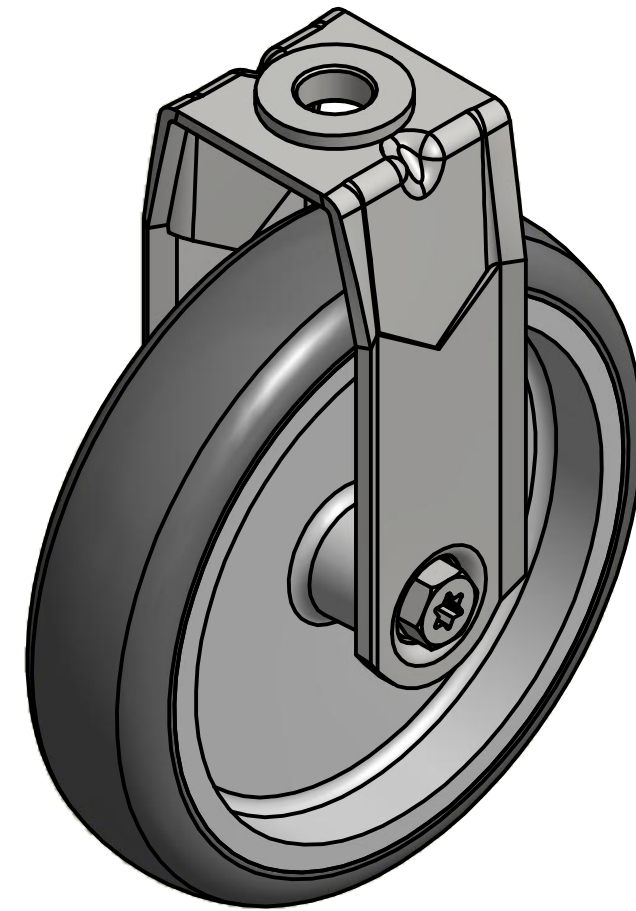
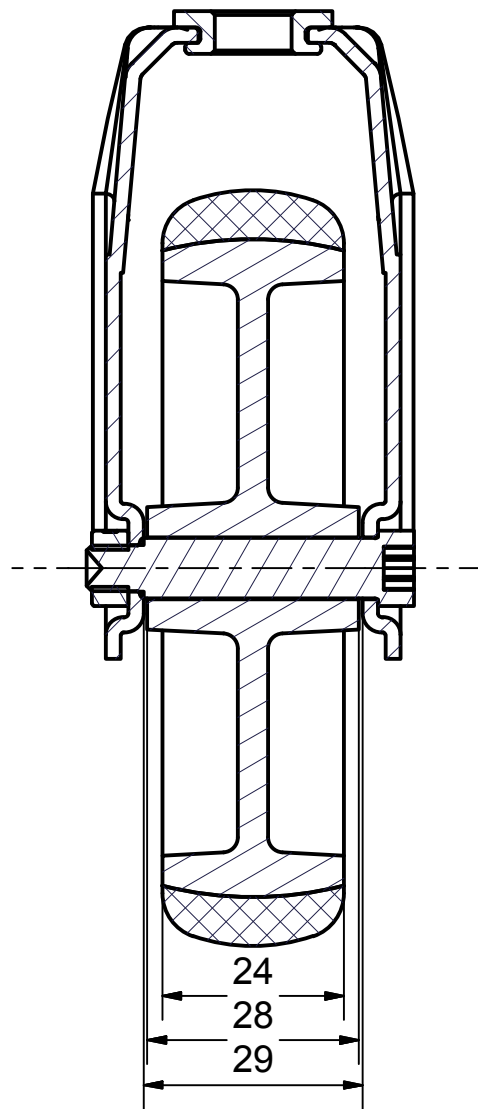
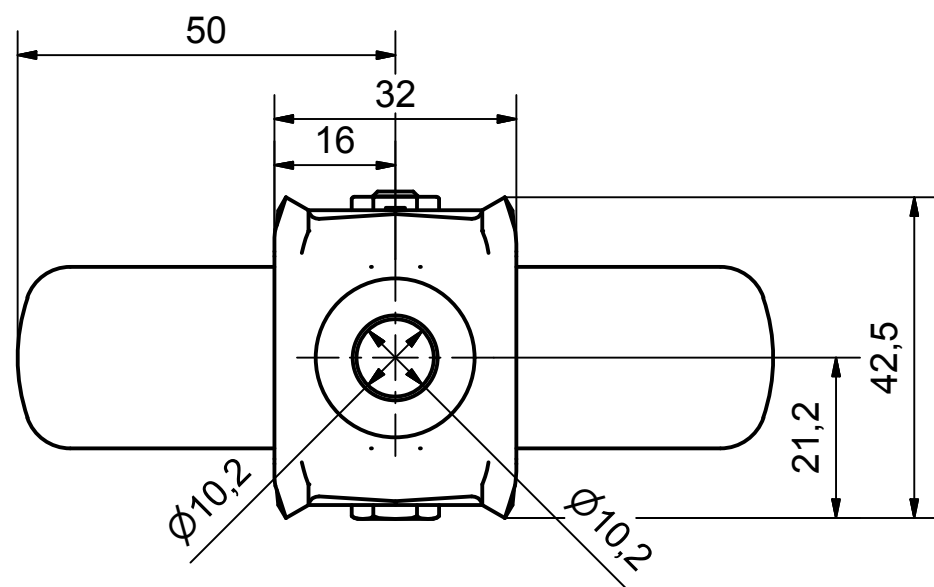



SECTION A-A'



Load Capacity: 70kg, for speed up to 4km/h
(According to EN 12530)



	PRODUCTION OF INSTITUTIONAL CASTORS AND WHEELS THESSALONIKI - GREECE		PERMIS. VARIATIONS:	PART No:
	This drawing is the property of RODA S.A. It must neither be reproduced in any manner nor shall it be submitted to third parties or competitors without our written consent		SURFACE FINISH:	UNF . DIM.:
DESIGNED 9/7/2013 E.POLIMEROPOULOU DRAWN 9/7/2013 E.POLIMEROPOULOU CHECKED 9/7/2013 H.SAATZOGLOU		PART NAME : M.100.TPA.HF		PART DESCRIPTION : Fixed castor, steel support, bolt hole fitting (10,2mm).Wheel 100x24mm,non marking grey rubber (82shA) plain bearing
C3 B2 A1 A/A	QUANTITY REPLACE :	SCALE	DRAWING NUMBER :	SHEET No.
			GEN. DWG. NUM. :	