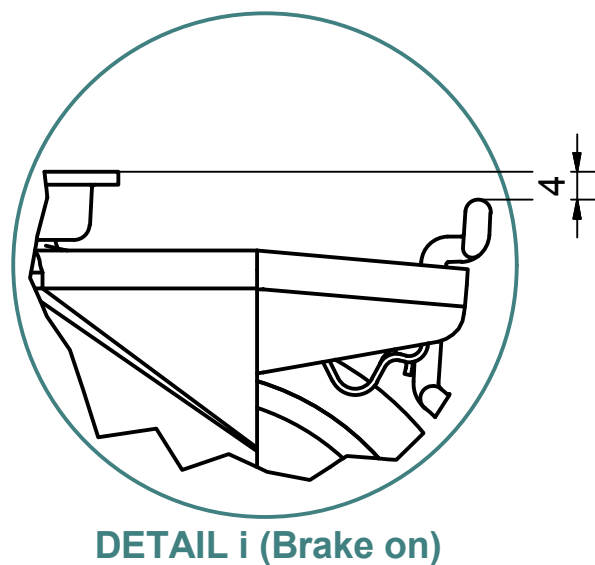
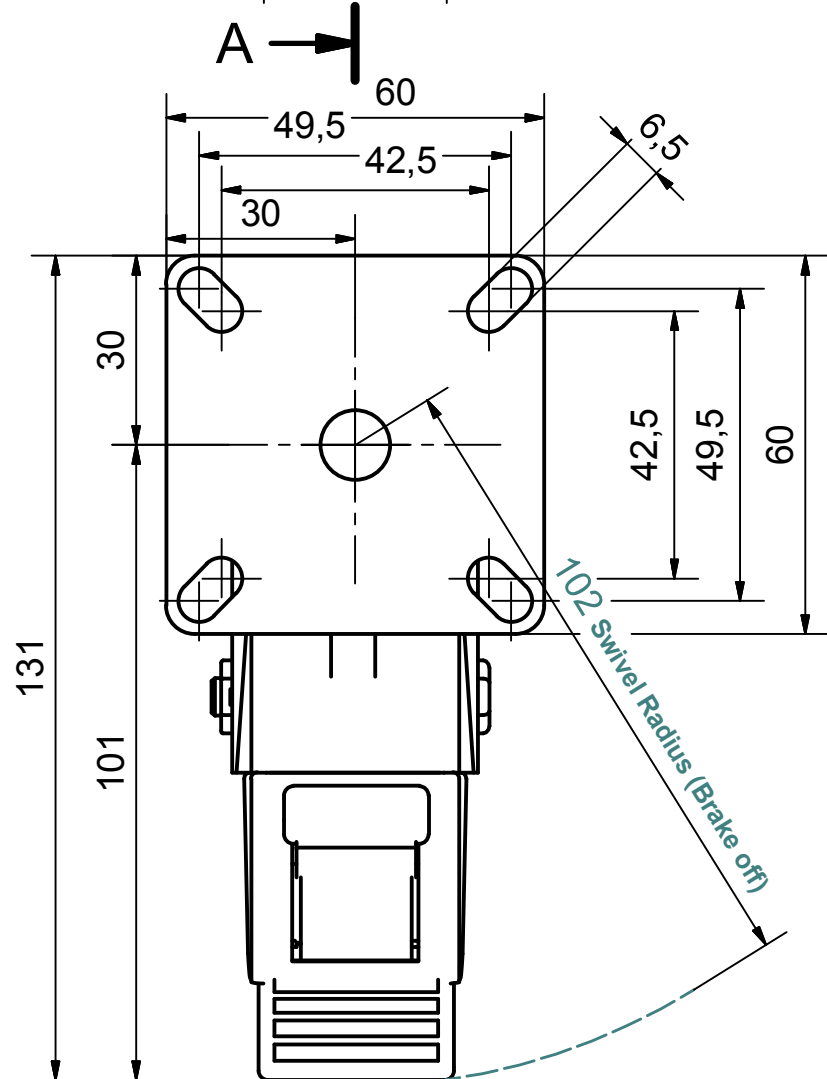



**Load Capacity: 70kg, for speed up to 4km/h  
(According to EN 12530)**



 <b>PRODUCTION OF INSTITUTIONAL CASTORS AND WHEELS</b> <b>THESSALONIKI - GREECE</b>	PERMIS. VARIATIONS:		PART No:	
	SURFACE FINISH:		UNF . DIM.:	
This drawing is the property of RODA S.A. It must neither be reproduced in any manner nor shall it be submitted to third parties or competitors without our written consent	DESIGNED 9/7/2013 E.POLIMEROPOULOU	PART NAME : <b>M.100.TPA.TSBKG</b>		
	DRAWN 9/7/2013 E.POLIMEROPOULOU	PART DESCRIPTION : <b>Swivel+brake castor, steel support, top plate fitting.Wheel 100x24mm,non marking grey rubber (82shA) plain bearing,steel thread</b>		
	CHECKED 9/7/2013 H.SAATZOGLU	DRAWING NUMBER :		
C3 B2 A1 A/A	QUANTITY REPLACE :	SCALE	SHEET No.	
GEN. DWG. NUM. :			SHEET No.	