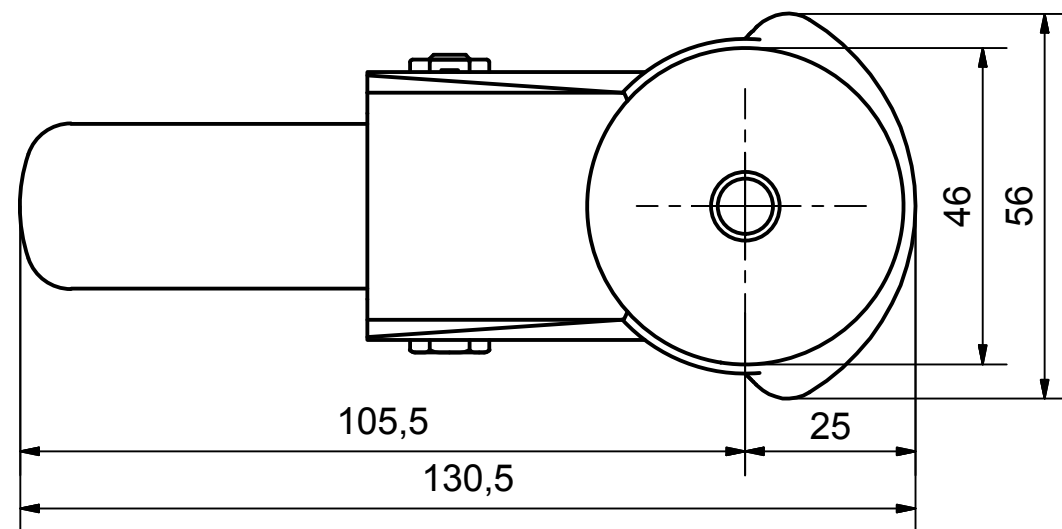



Load Capacity: 80kg, for speed up to 4km/h  
(According to EN 12530)



|   |                     |                  |                                 |
|---|---------------------|------------------|---------------------------------|
| <br>PRODUCTION OF INSTITUTIONAL CASTORS AND WHEELS<br>THESSALONIKI - GREECE            | PERMIS. VARIATIONS: |                  | PART No:                        |
|   | SURFACE FINISH:     |                  | UNF . DIM.:                     |
| This drawing is the property of RODA S.A. It must neither be reproduced in any manner nor shall it be submitted to third parties or competitors without our written consent | DESIGNED            | 15/7/2013        | E.POLIMEROPOULOU                |
|   | DRAWN               | 15/7/2013        | E.POLIMEROPOULOU                |
|   | CHECKED             | 15/7/2013        | H.SAATSOGLOU                    |
| PART DESCRIPTION :<br><b>Swivel castor, steel support, bolt stem M10X20mm.Wheel 125x24mm,electric conductive non marking grey rubber (82shA) plain beari</b>                |                     |                  | <b>PART NAME : M.125.CPA.BS</b> |
| DRAWING NUMBER :  |                     |                  | SHEET No.                       |
| QUANTITY SCALE  |                     | GEN. DWG. NUM. : |                                 |
| REPLACE :   |                     |                  |                                 |