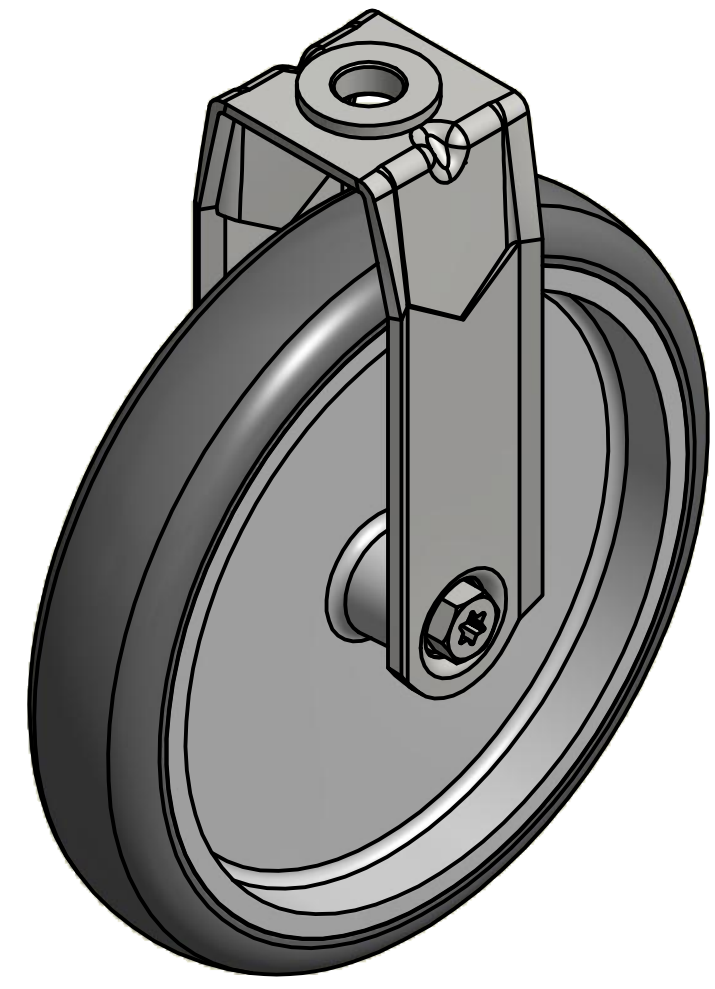
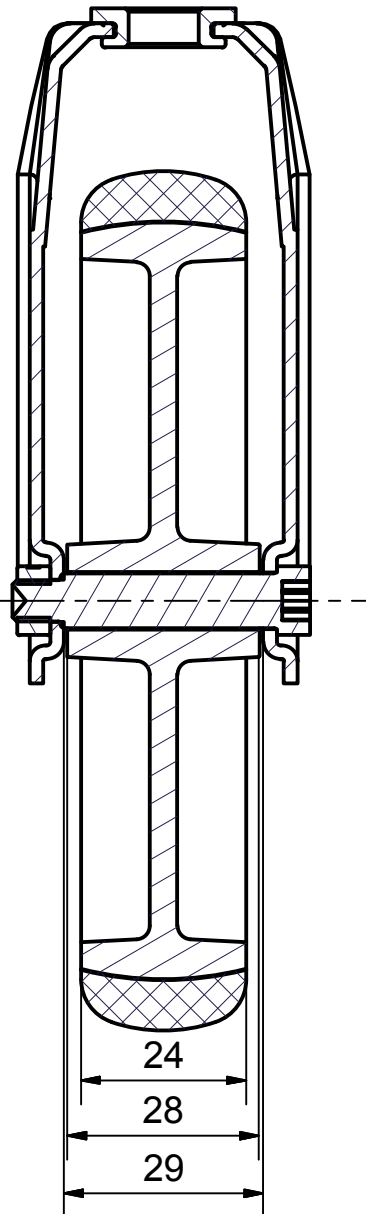
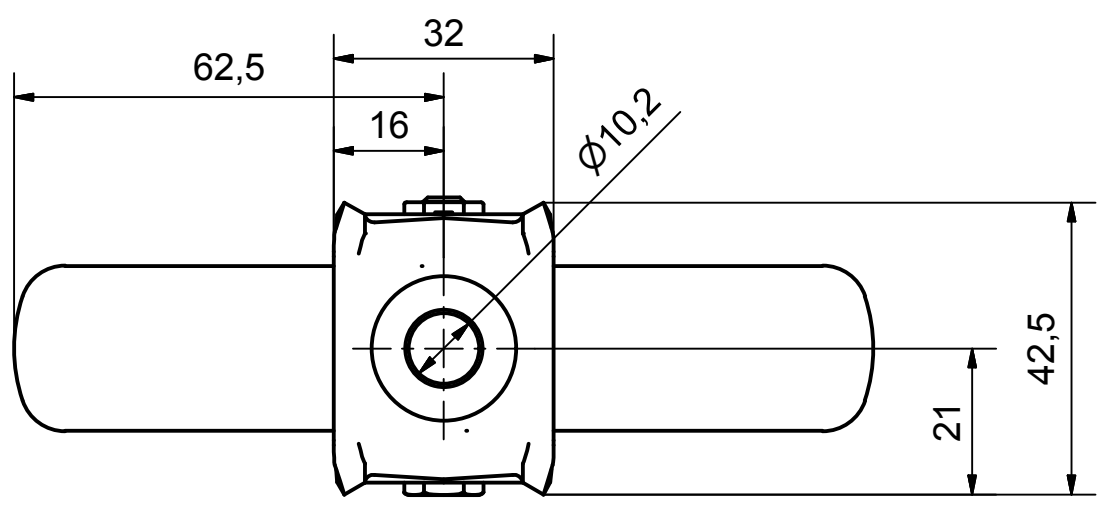



SECTION A-A'



Load Capacity: 80kg, for speed up to 4km/h
(According to EN 12530)



| | | | | |
|---|---|------------------|---|-------------|
|  | PRODUCTION OF INSTITUTIONAL CASTORS AND WHEELS THESSALONIKI - GREECE | | PERMIS. VARIATIONS: | PART No: |
| | This drawing is the property of RODA S.A. It must neither be reproduced in any manner nor shall it be submitted to third parties or competitors without our written consent | | SURFACE FINISH : | UNF . DIM.: |
| DESIGNED 12/7/2013 E.POLIMEROPOULOU DRAWN 12/7/2013 E.POLIMEROPOULOU CHECKED 12/7/2013 H.SAATSOGLOU | QUANTITY REPLACE : | SCALE | PART NAME : M.125.TPA.HF | |
| C3 B2 A1 A/A | GEN. DWG. NUM. : | DRAWING NUMBER : | PART DESCRIPTION : Fixed castor, steel support, bolt hole fitting (10,2mm).Wheel 125x24mm,non marking grey rubber (82shA) plain bearing | |
| SHEET No. | | | | |