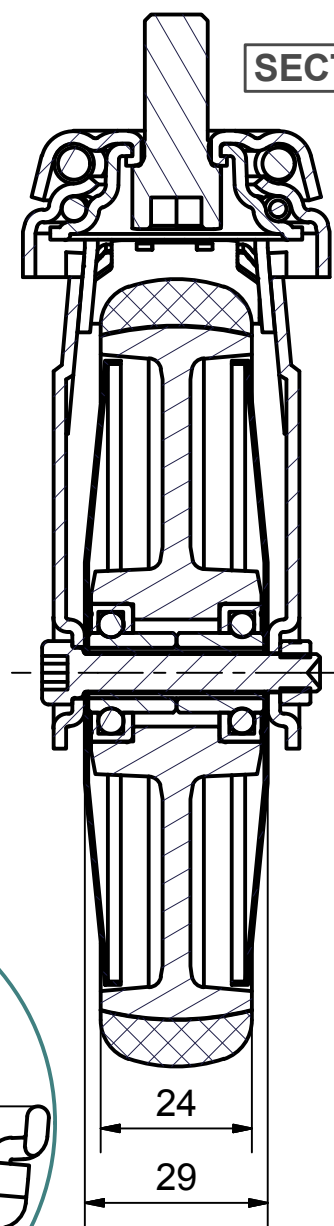
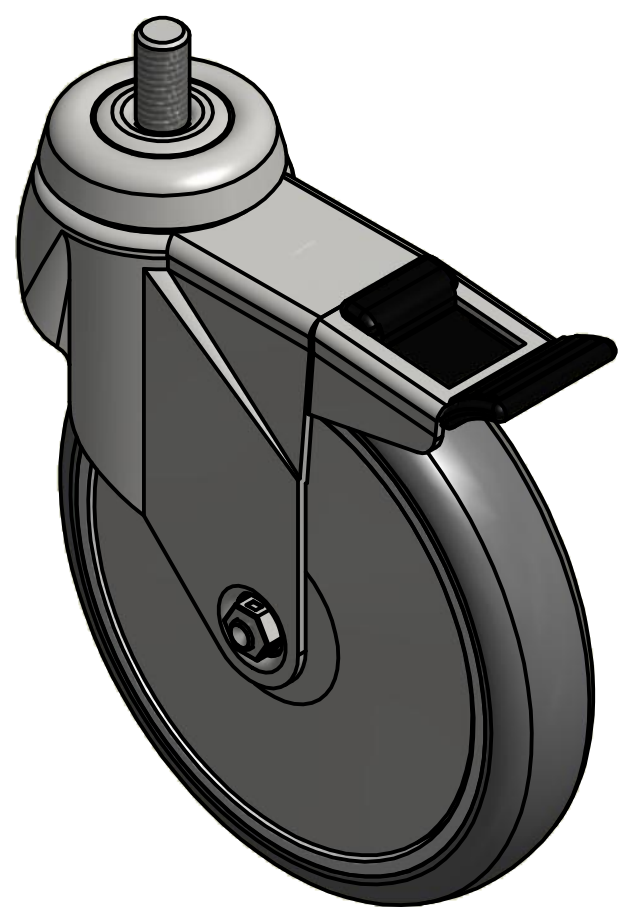


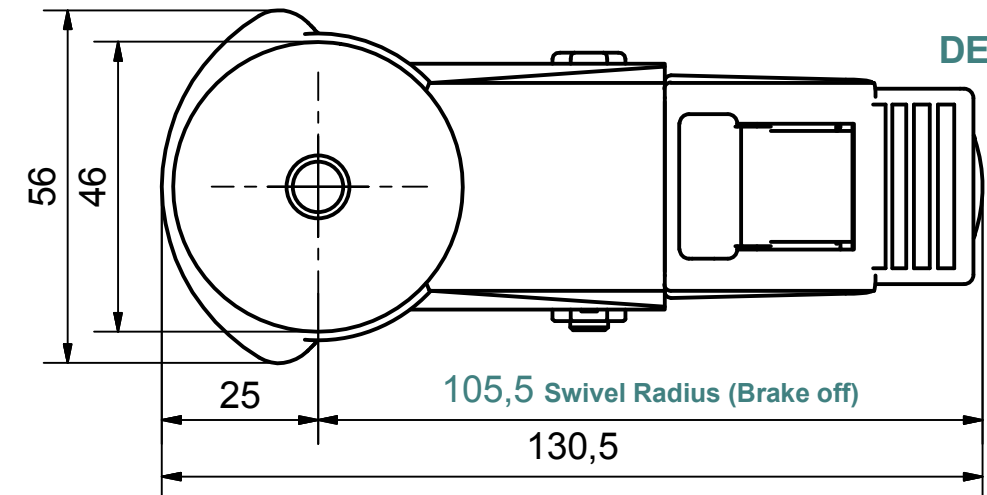
DETAIL i (Brake on)




SECTION A-A'



Load Capacity: 80kg, for speed up to 4km/h
(According to EN 12530)



105,5 Swivel Radius (Brake off)

	PRODUCTION OF INSTITUTIONAL CASTORS AND WHEELS		PERMIS. VARIATIONS:	PART No:
	THESSALONIKI - GREECE		SURFACE FINISH :	UNF . DIM.:
This drawing is the property of RODA S.A. It must neither be reproduced in any manner nor shall it be submitted to third parties or competitors without our written consent			DESIGNED 15/7/2013 E.POLIMEROPOULOU DRAWN 15/7/2013 E.POLIMEROPOULOU CHECKED 15/7/2013 H.SAATSOGLOU	PART NAME : M.125.TPC.BSBKG
C3 B2 A1 A/A			QUANTITY SCALE REPLACE :	PART DESCRIPTION : Swivel+brake castor, steel support, bolt stem M10X20mm.Wheel 125x24mm,non marking grey rubber (82shA) double ball bearings,steel
DRAWING NUMBER :				SHEET No.
GEN. DWG. NUM. :				