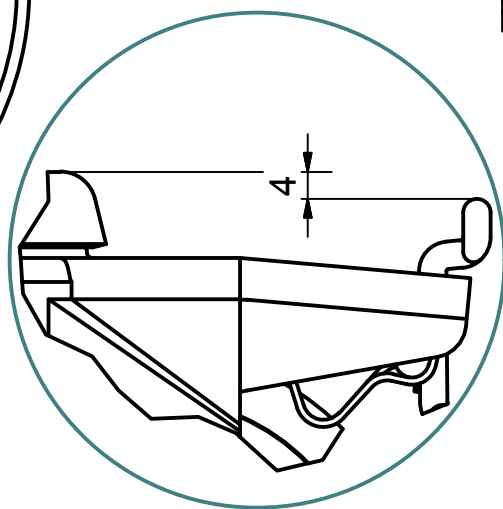
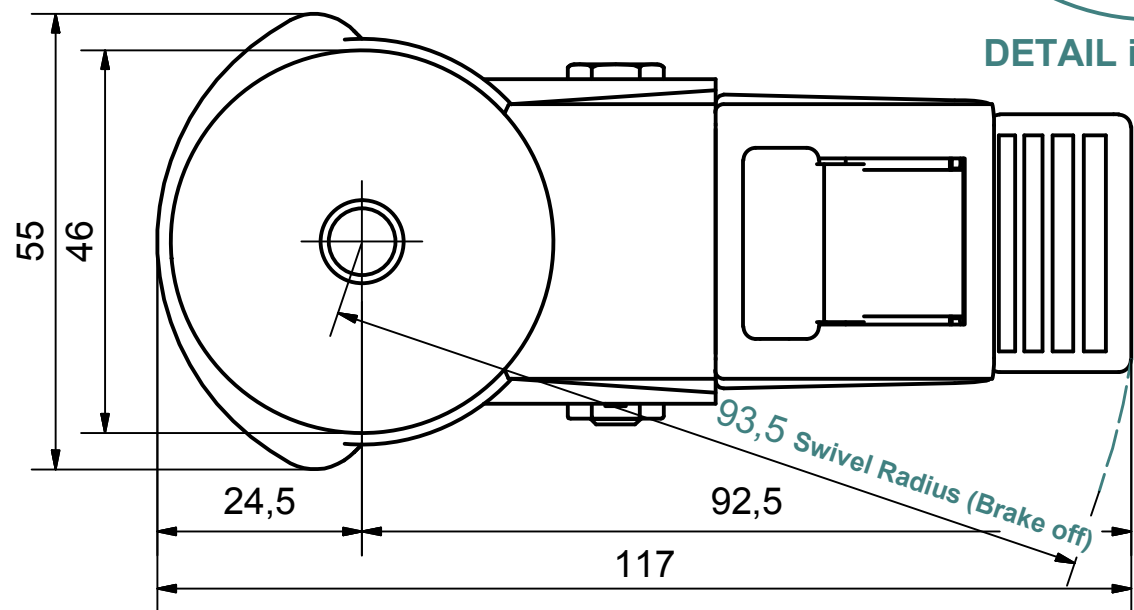



Load Capacity: 60kg, for speed up to 4km/h
(According to EN 12530)



DETAIL i (Brake on)



	PRODUCTION OF INSTITUTIONAL CASTORS AND WHEELS		PERMIS. VARIATIONS:	PART No:
	THESSALONIKI - GREECE		SURFACE FINISH :	UNF . DIM.:
This drawing is the property of RODA S.A. It must neither be reproduced in any manner nor shall it be submitted to third parties or competitors without our written consent			DESIGNED 4/7/2013 E.POLIMEROPOULOU	PART NAME : MX.075.PA.BSBK
			DRAWN 4/7/2013 E.POLIMEROPOULOU	PART DESCRIPTION : Swivel+brake castor, stainless support, bolt stem M10X20mm.Wheel 75x24mm,black polypropylene plain bearing
			CHECKED 4/7/2013 H.SAATZOGLOU	DRAWING NUMBER :
C3			QUANTITY	SCALE
B2			REPLACE :	SHEET No.
A1				GEN. DWG. NUM. :
A/A				