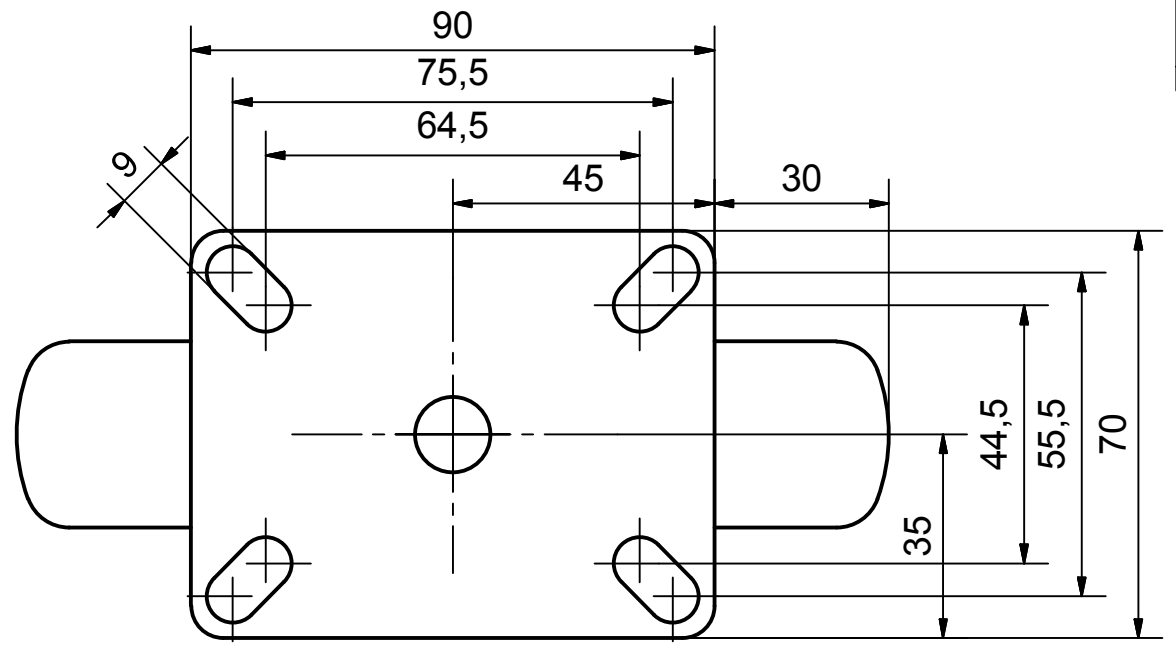
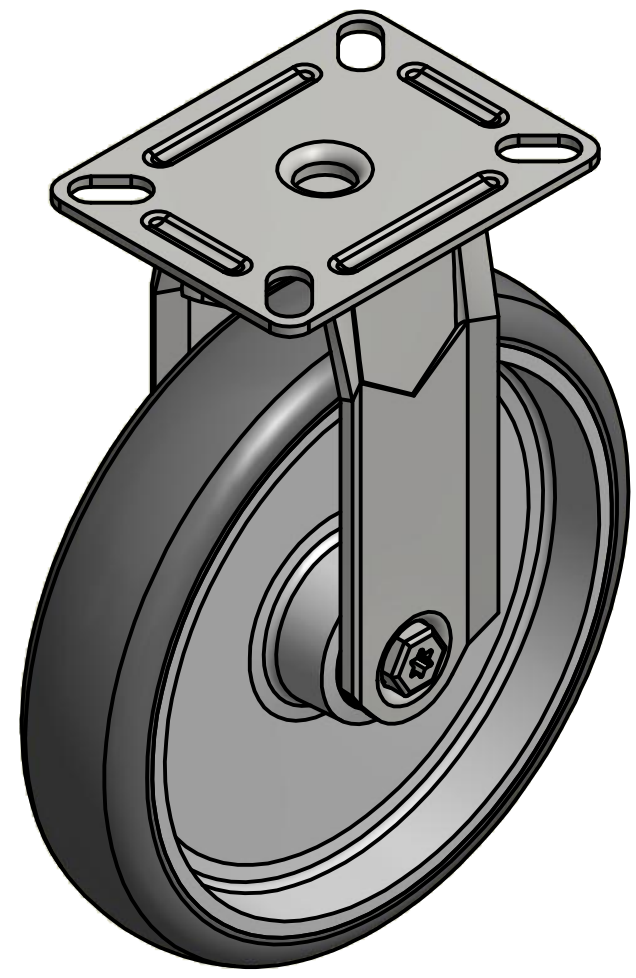
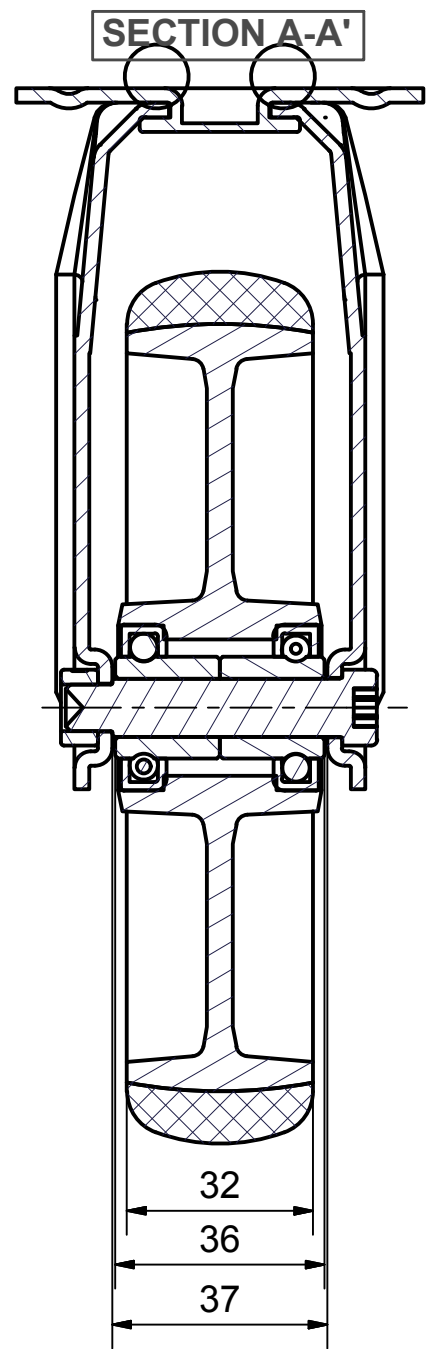
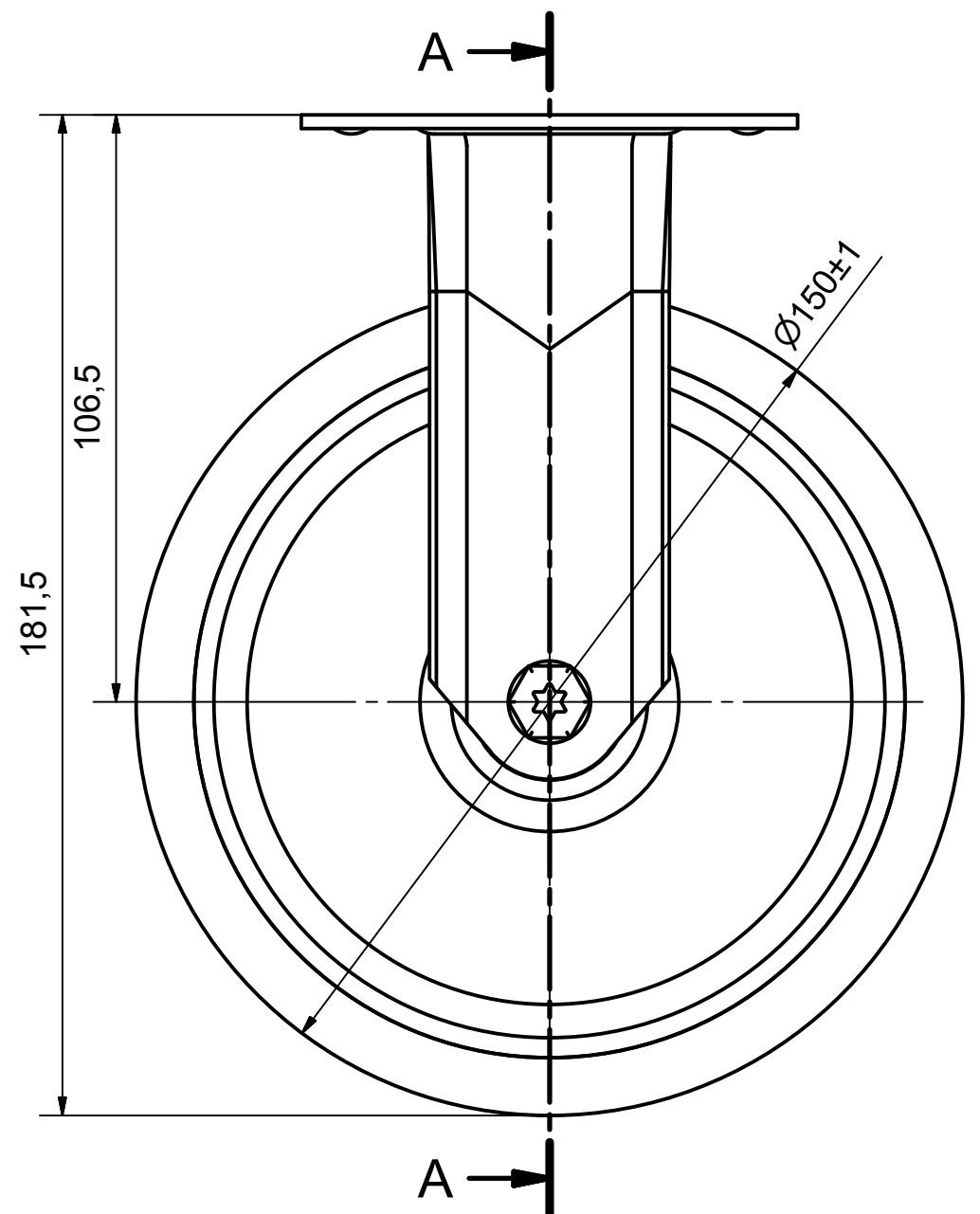



6 5 4 3 2 1

D
C
B
A



**Load Capacity: 100kg, for speed up to 4km/h
(According to EN 12530)**

 PRODUCTION OF INSTITUTIONAL CASTORS AND WHEELS THESSALONIKI - GREECE	PERMIS. VARIATIONS:		PART No:	
	SURFACE FINISH :		UNF . DIM.:	
This drawing is the property of RODA S.A. It must neither be reproduced in any manner nor shall it be submitted to third parties or competitors without our written consent	DESIGNED	31/7/2013	E.POLIMEROPOULOU	PART NAME : S.150.TPC.TF PART DESCRIPTION : Fixed castor, steel support, top plate fitting.Wheel 150x32mm,non marking grey rubber (82shA) double ball bearings
	DRAWN	31/7/2013	E.POLIMEROPOULOU	
	CHECKED	31/7/2013	H.SAATSOGLOU	
C3				DRAWING NUMBER :
B2				
A1				DRAWING NUMBER :
A/A				
			QUANTITY	SCALE
			REPLACE :	GEN. DWG. NUM. :

6 5 4 3 2 1