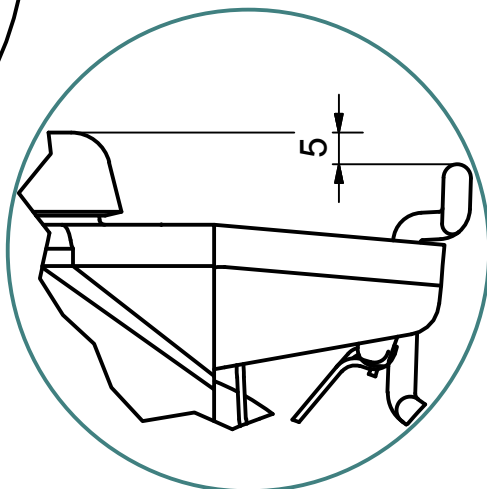
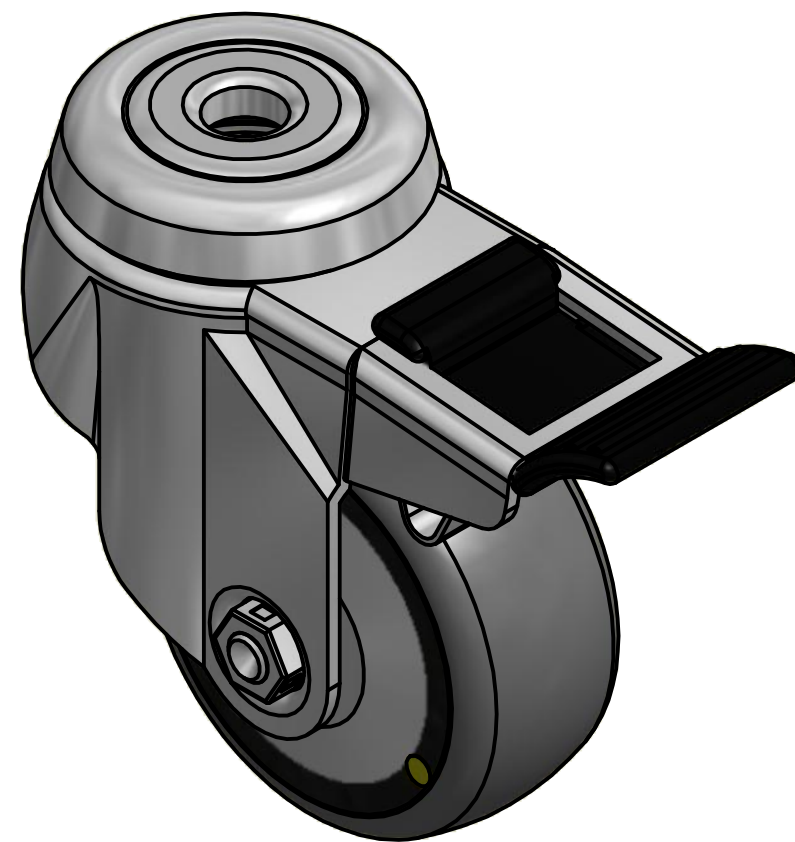
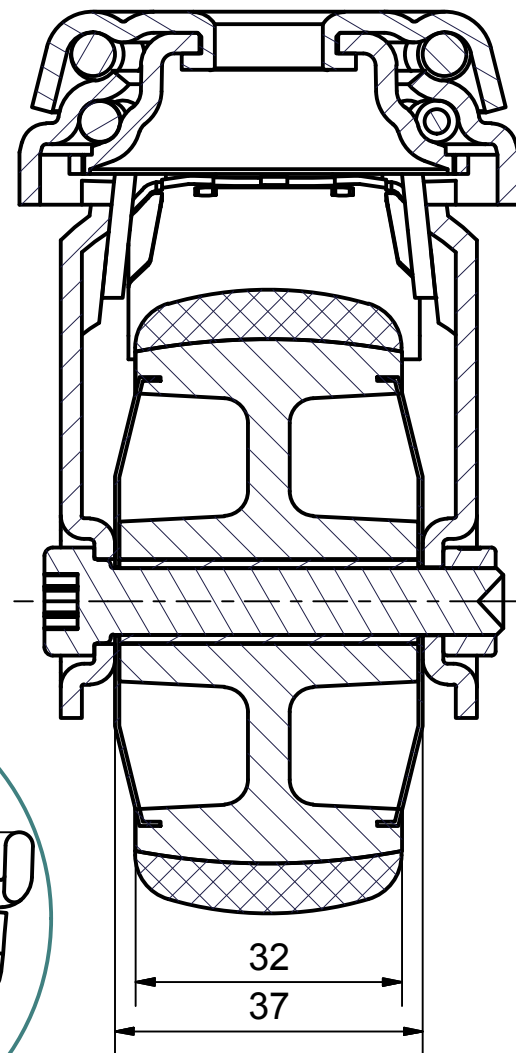


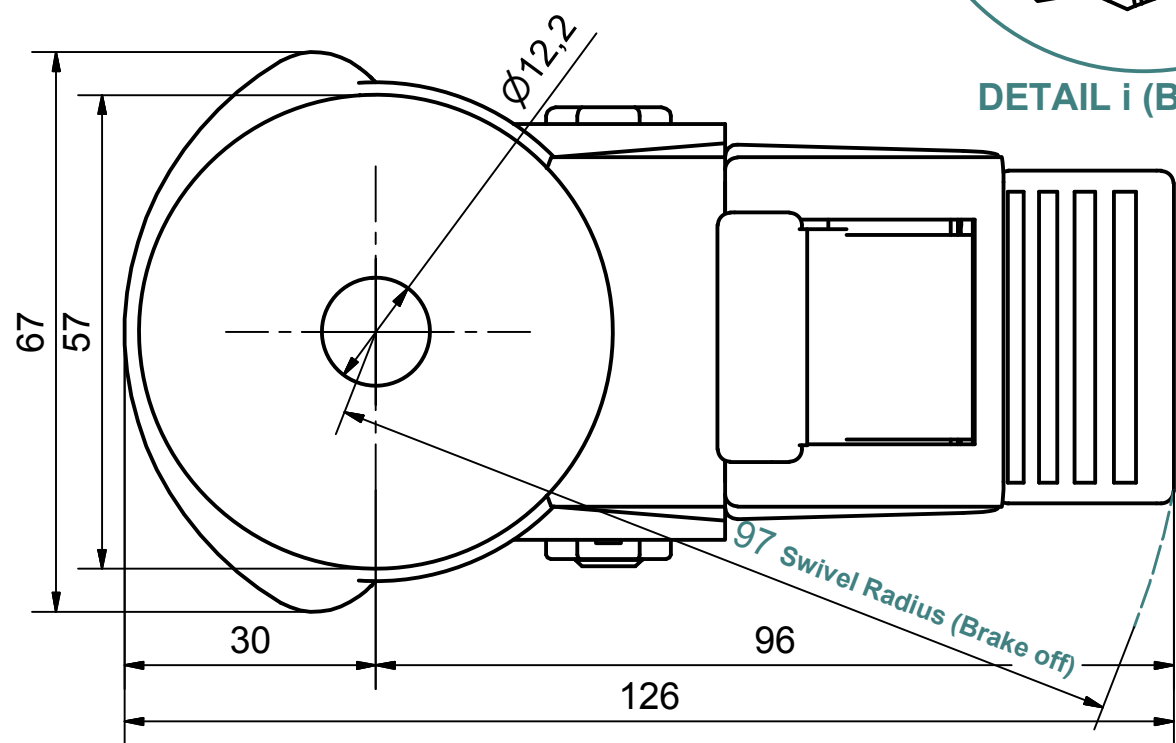
DETAIL i


SECTION A-A'



DETAIL i (Brake on)

Load Capacity: 70kg, for speed up to 4km/h  
(According to EN 12530)



 PRODUCTION OF INSTITUTIONAL CASTORS AND WHEELS THESSALONIKI - GREECE	PERMIS. VARIATIONS:		PART No:	
	SURFACE FINISH:		UNF . DIM.:	
This drawing is the property of RODA S.A. It must neither be reproduced in any manner nor shall it be submitted to third parties or competitors without our written consent	DESIGNED 19/7/2013 E.POLIMEROPOULOU	PART NAME : <b>SX.075.CPA.HSBKGX</b>		
	DRAWN 19/7/2013 E.POLIMEROPOULOU	PART DESCRIPTION : <b>Swivel+brake castor, stainless support, bolt hole fitting (12,2mm).Wheel 75x32mm,electric conductive non marking grey rubber (8</b>		
	CHECKED 19/7/2013 H.SAATSOGLOU	DRAWING NUMBER :		
C3 B2 A1 A/A	QUANTITY	SCALE	SHEET No.	
REPLACE :		GEN. DWG. NUM. :		