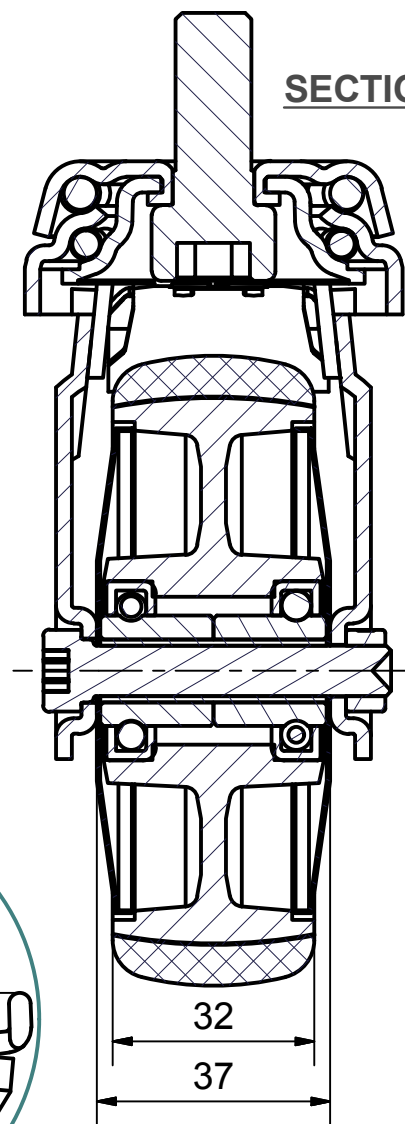
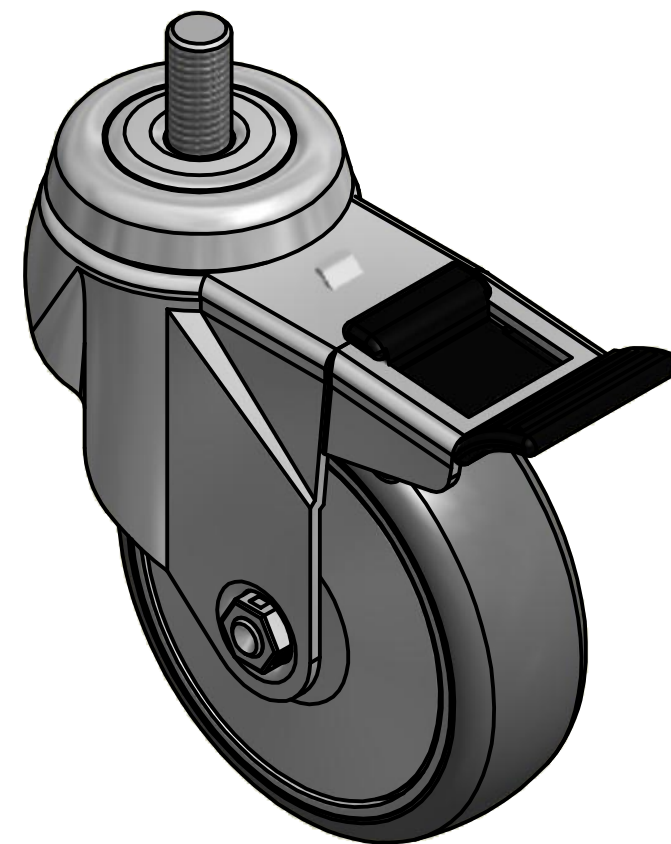


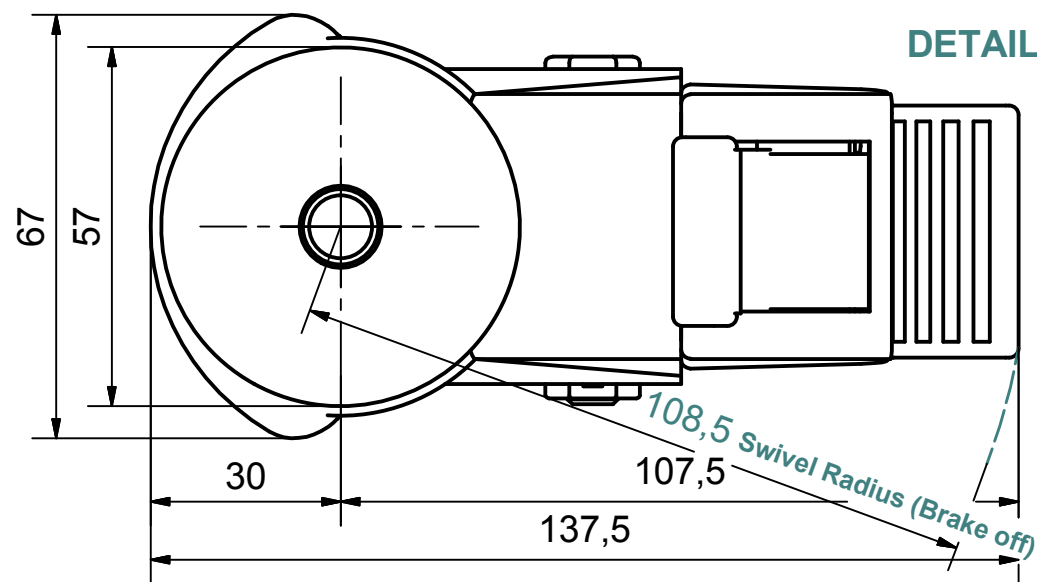
DETAIL i (Brake on)




SECTION A-A'



Load Capacity: 90kg, for speed up to 4km/h  
(According to EN 12530)



 PRODUCTION OF INSTITUTIONAL CASTORS AND WHEELS THESSALONIKI - GREECE This drawing is the property of RODA S.A. It must neither be reproduced in any manner nor shall it be submitted to third parties or competitors without our written consent	PERMIS. VARIATIONS:		PART No:	
	SURFACE FINISH:		UNF . DIM.:	
DESIGNED 24/7/2013 E.POLIMEROPOULOU DRAWN 24/7/2013 E.POLIMEROPOULOU CHECKED 24/7/2013 H.SAATSOGLOU			PART NAME : <b>SX.100.TPC.BSBKGX</b>	
C3 B2 A1 A/A			PART DESCRIPTION : <b>Swivel+brake castor, stainless support, bolt stem M12X25mm.Wheel 100x32mm,non marking grey rubber (82shA) double ball bearings.</b>	
QUANTITY REPLACE :		SCALE		DRAWING NUMBER : SHEET No.
GEN. DWG. NUM. :			SHEET No.	