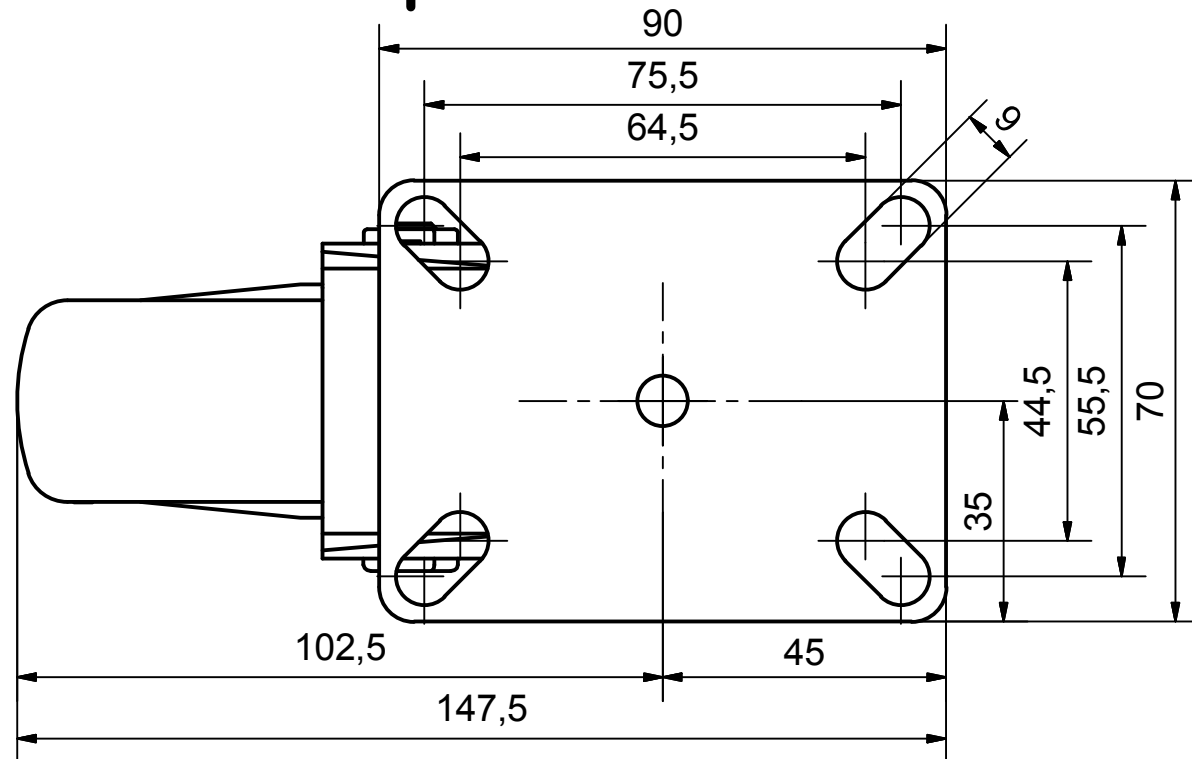



**Load Capacity: 100kg, for speed up to 4km/h
(According to EN 12530)**



 PRODUCTION OF INSTITUTIONAL CASTORS AND WHEELS THESSALONIKI - GREECE	PERMIS. VARIATIONS:		PART No:
	SURFACE FINISH :		UNF . DIM.:
This drawing is the property of RODA S.A. It must neither be reproduced in any manner nor shall it be submitted to third parties or competitors without our written consent	DESIGNED	26/7/2013	E.POLIMEROPOULOU
	DRAWN	26/7/2013	E.POLIMEROPOULOU
	CHECKED	26/7/2013	H.SAATSOGLOU
PART DESCRIPTION : Swivel castor, stainless support, top plate fitting.Wheel 125x32mm,electric conductive non marking grey rubber (82shA) double b			PART NAME : SX.125.CPC.TSGX
QUANTITY SCALE			DRAWING NUMBER : SHEET No.
REPLACE :			GEN. DWG. NUM. :