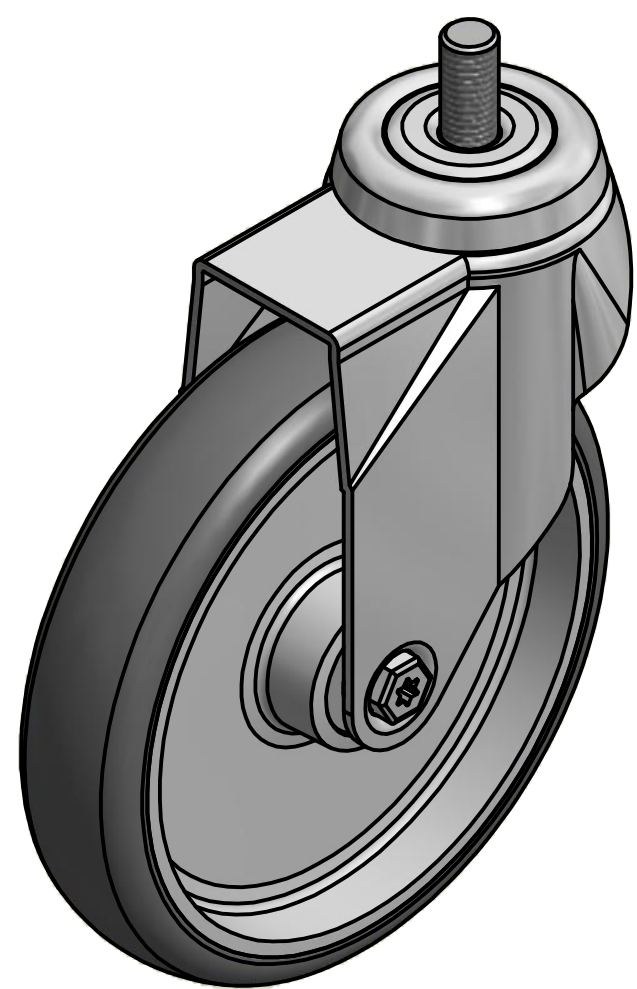
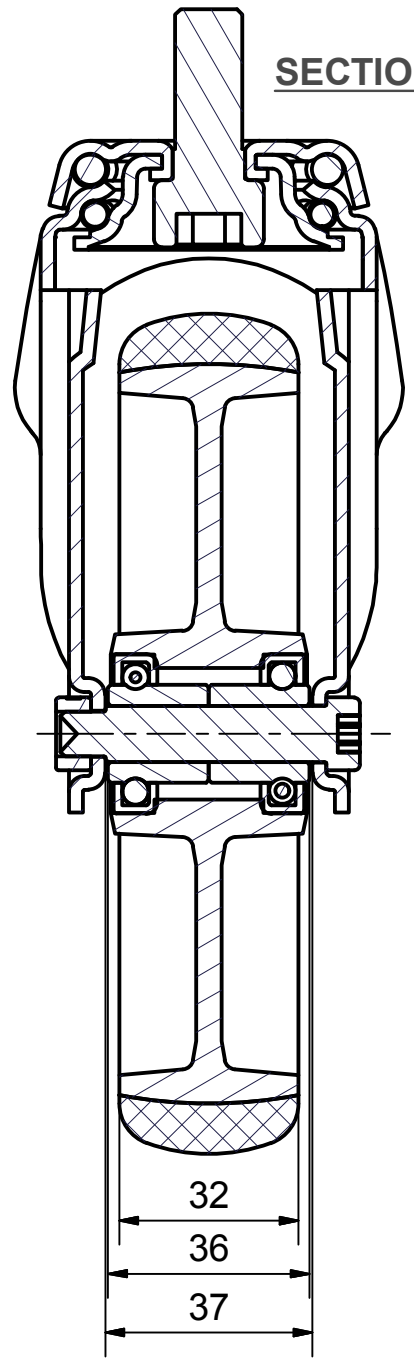
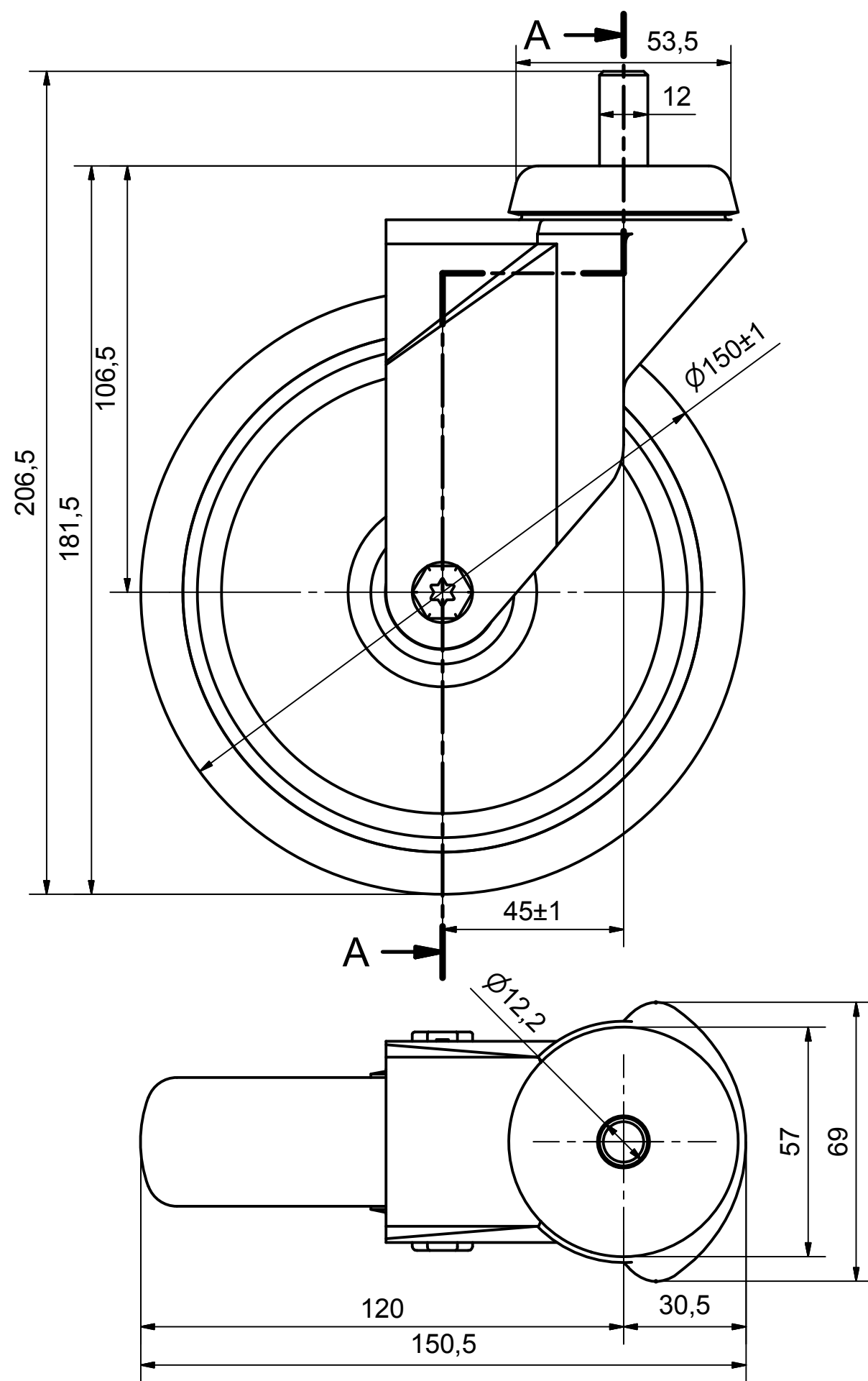



6 5 4 3 2 1

D
C
B
A



Load Capacity: 100kg, for speed up to 4km/h
(According to EN 12530)

 PRODUCTION OF INSTITUTIONAL CASTORS AND WHEELS THESSALONIKI - GREECE	PERMIS. VARIATIONS:		PART No:
	SURFACE FINISH:		UNF . DIM.:
This drawing is the property of RODA S.A. It must neither be reproduced in any manner nor shall it be submitted to third parties or competitors without our written consent	DESIGNED	1/8/2013	E.POLIMEROPOULOU
	DRAWN	1/8/2013	E.POLIMEROPOULOU
	CHECKED	1/8/2013	H.SAATSOGLOU
PART DESCRIPTION :			PART NAME :
Swivel castor, stainless support, bolt stem M12X25mm.Wheel 150x32mm,non marking grey rubber (82shA) double ball bearings			SX.150.TPC.BS
DRAWING NUMBER :			SHEET No.
GEN. DWG. NUM. :			

6 5 4 3 2 1