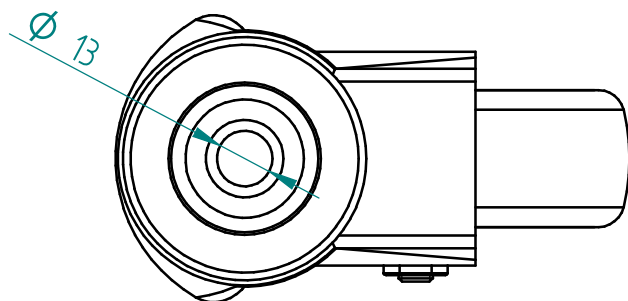
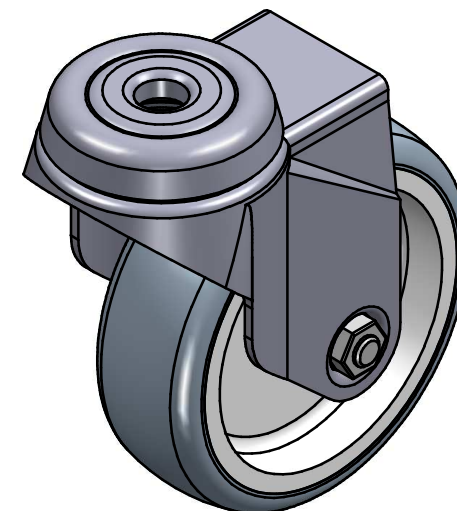
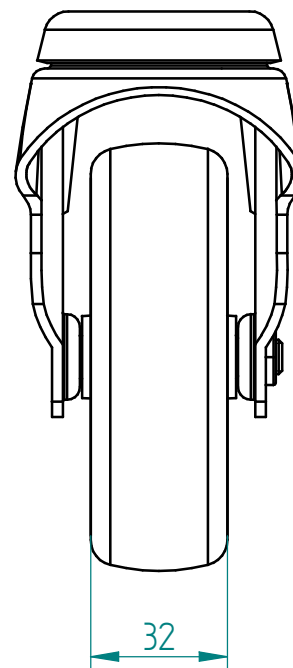
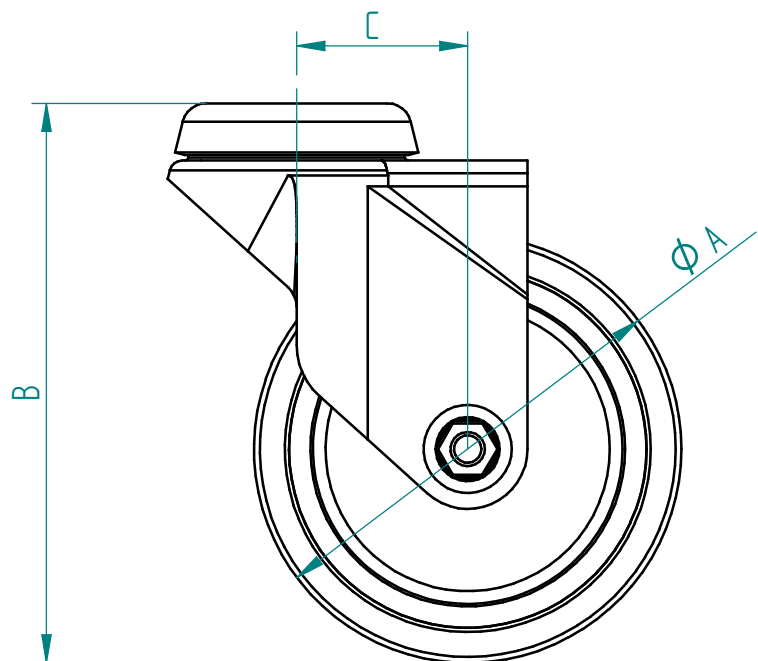



| M Series |        |        |
|----------|--------|--------|
| A (mm)   | B (mm) | C (mm) |
| 75       | 109    | 28     |
| 100      | 131,5  | 40     |
| 125      | 156,5  | 40     |
| 150      | 181,5  | 45     |



|  |  |                   |  |  |    |  |  |  |    |  |  |  |     |  |  |  |                     |  |
|--|--|-------------------|--|--|----|--|--|--|----|--|--|--|-----|--|--|--|---------------------|--|
|  <b>PRODUCTION OF INSTITUTIONAL CATRORS AND WHEELS</b><br><b>THESSALONIKI - GREECE</b>  | PERMIS. VARIATIONS:  | PART No.:         |  |  |    |  |  |  |    |  |  |  |     |  |  |  |                     |  |
|  | SURFACE FINISH:  | UNF. DIM.:        |  |  |    |  |  |  |    |  |  |  |     |  |  |  |                     |  |
| This drawing is the property of RODA S.A. It must neither be reproduced in any manner nor shall it be submitted to third parties or competitors without our written consent  | DESIGNED 22/7/2010 ALISANDRATOS S.<br>DRAWN 22/7/2010 ALISANDRATOS S.<br>CHECKED 22/7/2010 | MATERIAL:         |  |  |    |  |  |  |    |  |  |  |     |  |  |  |                     |  |
| <table border="1"> <tr><td>C3</td><td></td><td></td><td></td></tr> <tr><td>B2</td><td></td><td></td><td></td></tr> <tr><td>A1</td><td></td><td></td><td></td></tr> <tr><td>A/A</td><td></td><td></td><td></td></tr> </table> | C3   |                   |  |  | B2 |  |  |  | A1 |  |  |  | A/A |  |  |  | QUANTITY<br>REPLACE | PART DESCRIPTION :<br><b>S Series HS:Bolt Hole</b> |
| C3   |  |                   |  |  |    |  |  |  |    |  |  |  |     |  |  |  |                     |  |
| B2   |  |                   |  |  |    |  |  |  |    |  |  |  |     |  |  |  |                     |  |
| A1   |  |                   |  |  |    |  |  |  |    |  |  |  |     |  |  |  |                     |  |
| A/A  |  |                   |  |  |    |  |  |  |    |  |  |  |     |  |  |  |                     |  |
|  | SCALE  | DRAWING SHEET No. |  |  |    |  |  |  |    |  |  |  |     |  |  |  |                     |  |
|  |  | GEN. DWG. NUM.:   |  |  |    |  |  |  |    |  |  |  |     |  |  |  |                     |  |